

**Package Design N° 3919A**  
**Package Name: UF<sub>6</sub> Sample Package**



## **Type**

The Package Design No 3919A is designed as a Type H package for the transport of UF<sub>6</sub> in sample bottles, in accordance with the IAEA Regulations for the Safe Transport of Radioactive Material, ST-1 1996 Edition

## **Certification**

Being licensed by Croft to the Type H requirements of the IAEA ST-1 1996, and ISO 7195 and ANSI N14.1 standards, and the ASME B&PV code.

The package is being licensed to carry all bottles currently used for samples: acceptance for particular bottles is subject to CA approval.

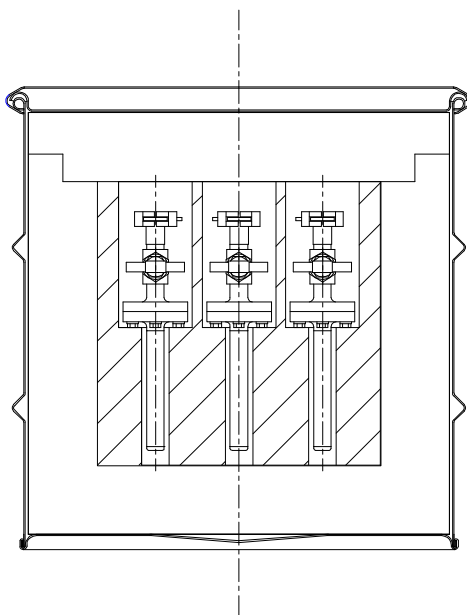
## **Description**

The Package Design No 3919A consists of a stainless steel Drum Design No 3919, which carries a range of UF<sub>6</sub> sample bottles (see table over) within cork packing. The cork provides mechanical protection under normal conditions of transport and thermal protection under the IAEA Type B thermal test.

## **Containment**

The sample containers must meet the ISO 7195 and ANSI N14.1 standards, and the ASME B&PV code.

## Sample Bottle Design No 2926



### Approved Contents

Package limit is 4.5kg UF<sub>6</sub>, with limit for each sample bottle, as specified below. The initial approval is for fissile except quantities of samples.

### Physical Data

	Sample bottles											
	Outer Container 3919		Punch Tube		P10- Punch Tube		2926		1S Bottle		2S Bottle	
Nominal												
External Dia	21"	551mm	0.247"	6.3mm	0.625"	15.9mm	0.750"	19mm	1.5"	38mm	3.6"	92mm
Dimensions Height	28"	713mm	13"	330mm	10.125"	257mm	10.25"	260mm	11"	280mm	11.625"	295mm
Nominal Internal Dimensions												
Cavity Volume		-		-		-	1.77in <sup>3</sup>	29cm <sup>3</sup>	9.16in <sup>3</sup>	150cm <sup>3</sup>	43.89in <sup>3</sup>	719.1cm <sup>3</sup>
Tare Weight	60lb	27kg		13g		630g	2.59lb	1.175kg	1.75lb	0.79kg	4.2lb	9.3kg
Cork Packing Weight	44lb	20kg		-		-		-		-		-
Content Weight		-		10g		65g	0.2lb	90g	1.0lb	0.45kg	4.9lb	2.21kg
Max number of bottle per package		-		156		89		10		14		8
Total Package Weight	104lb	47kg		50.6kg		107.6kg		59.7kg		62.5kg		125.9kg

Contact: Croft Associates Ltd, B2 North Culham Estate, Abingdon, Oxon, OX14 3GY, UK  
 Tel: (01235) 464360 Fax: (01235) 464358 E-mail: [sales@croftltd.demon.co.uk](mailto:sales@croftltd.demon.co.uk)  
 Web site: <http://www.croftltd.demon.co.uk>