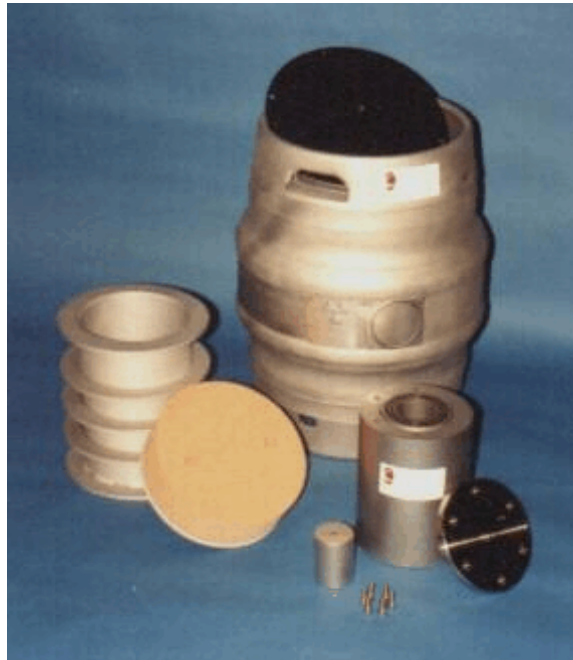


Package Design N° 2835A
Package Name: SAFKEG



Type

Designed as a B(U) Package in accordance with the requirements of the IAEA Regulations for the Safe Transport of Radioactive Material 1996 Edition TS-R-1 (ST-1 Revised).

Certification

Certified by the UK Competent Authority: Certificate N° GB/2835A/B(U)-96 and GB/2835A/B(U)F-85 (Fissile contents).

Description

The package consists of an outer keg Design N° 2835 which carries a resealable shielding pot Design N° 2784 within an aluminium carrier and cork packing.

The outer keg Design N° 2835 has a fabricated stainless steel body with a large stainless steel lined cavity and a bolted stainless steel lid. The space provided between the fabricated body and the lined cavity is filled with a phenolic foam insulant.

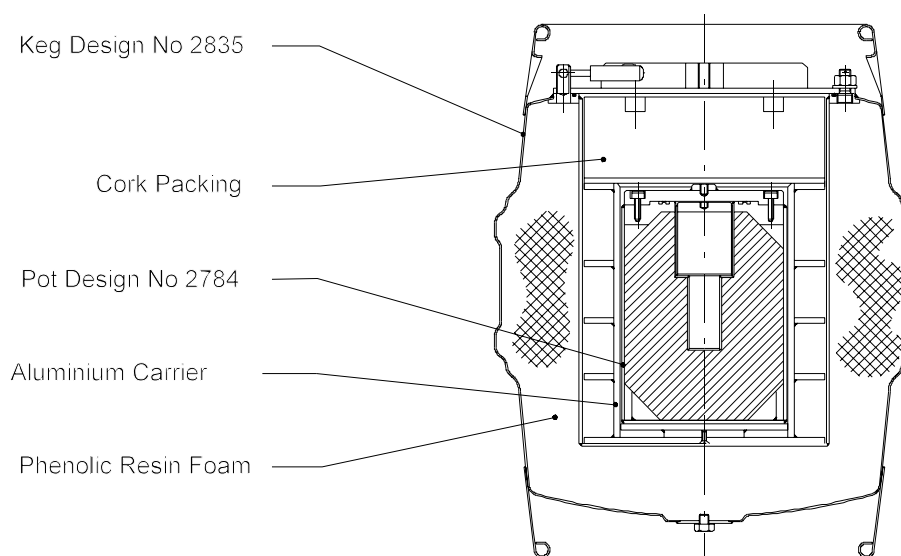
The shielding pot Design N° 2784, has a resealable stainless steel containment vessel and depleted uranium shielding encased in stainless steel. An small additional lead or tungsten shielding pot may also be carried within the cavity of the shielding pot Design N° 2784.

Containment

The resealable shielding pot Design N° 2784 provides the containment system for the package. The lid of the pot has double O-ring seals having an interspace to facilitate leakage testing to prove that the containment system has the prescribed levels of leaktightness.

Product containers such as screw top cans or sealed capsules are normally used to carry the contents and provide contamination control.

Section through Package Design N° 2835A



Approved Contents

370 TBq (10,000 Ci) Iridium-192 in the form of solid metal pellets. Samples of irradiated fuel pins containing up to 15g of fissile material (currently approved under the IAEA 1985 Regulations). Other contents could be approved.

Maximum heat emission of contents 57 watts.

External Dose Rates for 10kCi Ir-192

Inner shielding pot	Package Surface Dose Rate		TI (mrem/h)
	mSv/h	mrem/h	
Tungsten	0.4	40	1
None	1.1	110	2.7

Physical Data

	Outer keg 2835	Shielding pot 2784	Inner shielding pot
External Diameter	425 mm	168 mm	30 mm
External Height	540 mm	246 mm	72 mm
Internal Diameter	247 mm	31 mm	10 mm
Internal Height	355 mm	73 mm	52 mm
Shielding		63 mm DU	10 mm
Approximate Weight	48 kg (inc packing)	78 kg	0.85 kg (tungsten)
Maximum weight of contents			1.0 kg
Maximum weight of Package Design N° 2835A including contents			127.1 kg

Further Information

Contact: Croft Associates Ltd, B2 North Culham Estate, Abingdon, Oxon, OX14 3GY, UK
 Tel: (01865) 407740 Fax: (01865) 407449 E-mail: sales@croftltd.com
 Web site: www.croftltd.com