

**Package Design N° 2799H**  
**Package Name: SAFKEG**



## Type

Designed as a B(U) Package to the IAEA Safety Series 6 Regulations for the Safe Transport of Radioactive Materials 1985 Edition (As Amended 1990).

## Certification

Certified by the UK Competent Authority to the 1985 Edition (As Amended 1990) of the IAEA SS6 regulations: Certificate N° GB/2799H/B(U)-85.

## Description

The package consists of an outer container Keg Design N° 2799 which carries a resealable inner container Design N° 2812 within insulating and shock absorbing cork packaging. The inner container Design N° 2812 carries an innermost container Design N° 2783.

The outer container Keg Design N° 2799 has a fabricated stainless steel body with a large stainless steel lined cavity and a bolted stainless steel lid. The space provided between the fabricated body and the lined cavity is filled with a phenolic foam insulant.

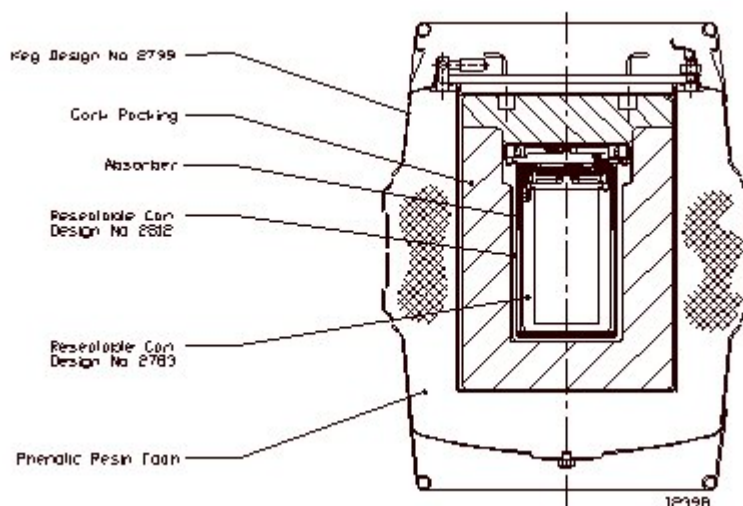
The inner container Design N° 2812 is a resealable stainless steel containment vessel. The innermost container Design N° 2783 is a second resealable stainless steel containment vessel.

## Containment

Double containment is provided by the combination of the resealable inner container Design N° 2812 and the resealable innermost Container Design N° 2783. The absorbent material between the inner and innermost containers will reduce the possibility of contamination when liquid contents are transported.

The lids of both containers have double 'O' rings seals with an interspace between the 'O' rings seals which facilitate leakage testing to ensure that the seals achieve the prescribed levels of leaktightness.

## Section through Package Design N° 2799H



### Approved Contents

Currently approved for Americium, Plutonium and/or Uranium as metals, oxides, carbides as compressed or uncompressed powders, or nitrates of the above in a nitric acid solution. Other contents could be approved if required.

Maximum activity will depend on the nature of the contents

Maximum total weight not to exceed 5.5 kg

Maximum total volume of liquid not to exceed 75 millilitres

Maximum heat emission not to exceed - liquid contents, 0.1 watts  
- solid contents, 1.0 watts

### Physical Data

	Outer Container 2799	Cork Packing	Inner Container 2812	Innermost Container 2783
External Diameter	425 mm	-	148 mm	101 mm
External Height	540 mm	-	229 mm	186 mm
Internal Diameter	247 mm	-	116 mm	75 mm
Internal Height	356 mm	-	200 mm	155 mm
Nominal Weight	46 kg	3 kg	7 kg	6 kg
Maximum weight of contents				5.5 kg
Maximum weight of Package Design N° 2799H including contents				67.5 kg

### Further Information

Contact: Croft Associates Ltd, B2 North Culham Estate, Abingdon, Oxon, OX14 3GY, UK  
Tel: (01865) 407740 Fax: (01865) 407449 E-mail: [sales@croftltd.com](mailto:sales@croftltd.com)  
Web site: [www.croftltd.com](http://www.croftltd.com)