

Package Design N° 2799E
Package Name: SAFKEG



Type

Designed as a B(U) Package to the IAEA Regulations for the Safe Transport of Radioactive Material 1996 Edition (Revised) No TS-R-1 (ST-1, Revised).

Certification

Certified by the UK Competent Authority: Certificate N° GB/2799E/B(U)-96.
Validations available for other countries.

Description

The package consists of an outer container Keg Design N° 2799 which carries a resealable inner container Design N° 2812 within insulating and shock absorbing cork packing.

The outer container Keg Design 2799 has a fabricated stainless steel body with a large stainless steel lined cavity and a bolted stainless steel lid. The space provided between the fabricated body and the lined cavity is filled with a phenolic foam insulant.

The inner container Design N° 2812 is a resealable stainless steel containment vessel.

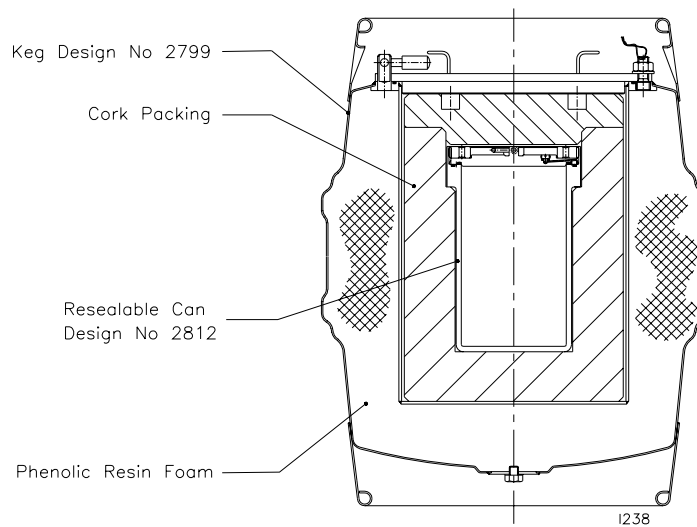
Containment

The resealable inner container Design N° 2812 provides the containment system for the package. The lid of the container has a double 'O' ring seal with an interspace between the 'O' ring seals which facilitates leak testing to ensure that the seals achieve the prescribed levels of leaktightness.

To reduce the possibility of contaminating the resealable inner container primary containers such as screw

top cans or sealed capsules are normally used to contain the contents.

Section through Package Design N° 2799E



Approved Contents

Currently approved for Americium 241, Neptunium 237, Plutonium, and/or Uranium as metals, oxides, carbides as compressed or uncompressed powders, but other contents could be approved if required.

Maximum activity will depend on the nature of the contents.

Maximum heat emission not to exceed 10 watts.

Physical Data

	Outer Container 2799	Cork Packing	Inner Container 2812
External Diameter	425 mm	-	148 mm
External Height	540 mm	-	229 mm
Internal Diameter	247 mm	-	116 mm
Internal Height	342 mm	-	200 mm
Nominal Weight	46 kg	3kg	7 kg
Maximum weight of contents			11.5 kg
Maximum weight of Package Design N° 2799E including contents			67.5 kg

Further Information

Contact: Croft Associates Ltd, B2 North Culham Estate, Abingdon, Oxon, OX14 3GY, UK
Tel: (01865) 407740 Fax: (01865) 407449 E-Mail: sales@croftltd.com
Web Site: www.croftltd.com