

**Package Design N° 2773A**  
**Package Name: SAFSHIELD**



## **Type**

Designed as a B(U) Package to the IAEA Regulations for the Safe Transport of Radioactive Materials 1996 Edition TS-R-1 (ST-1, Revised).

## **Certification**

Certified by the UK Competent Authority under IAEA Regulations: Certificate N° GB/2773A/B(U)-96.

## **Description**

The outer container, Casket Design N° 2773, is a 'double shell' welded cylindrical casket manufactured in low carbon steel with a circular bolted closure at the base. The space between the 'shells' is filled with phenolic resin foam as a thermal insulant.

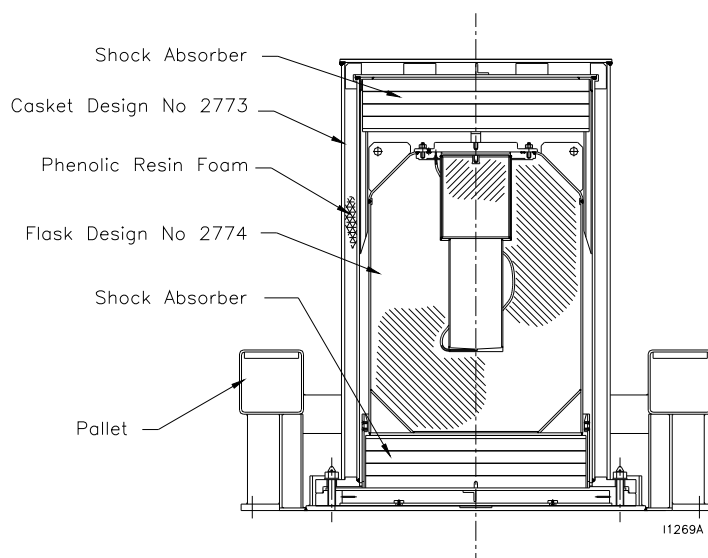
The inner container, Flask Design N° 2774, is a robust and compact shielded flask. The flask is of a welded stainless steel construction incorporating lead shielding. Access to the cavity is gained by removing a bolted flange and lead filled plug.

The assembly is carried within a carbon steel pallet which is used for both lifting by fork-lift truck and for tie-down of the package.

## **Containment**

The bolted flange of the Inner Container Design N° 2774 is in the form of a separate flange with double 'O' ring seals. The interspace between the 'O' ring seals facilitates leakage testing to ensure that the seals achieve the prescribed levels of leaktightness. As the flange is separate from the shielded plug, the final closure and subsequent leakage testing can be carried out in a low radiation exposure area.

## Section through Package Design N° 2773A



### Approved Contents

Maximum activity of:	Co-60	1110 TBq	(30 kCi)
	Cs-137	3780 TBq	(102 kCi)
	Ir-192	3000 TBq	(81 kCi)

Maximum heat emission not to exceed 462 watts.

Other contents could be approved.

### Physical Data

	Drum Casket 2773	Flask 2774	Plug	Pallet
External Diameter	1036 mm	668 mm	212 mm	-
External Height	1396 mm	912 mm	259 mm	-
Internal Diameter	668 mm	161 mm	-	-
Internal Height	912 mm	342 mm	-	-
Size				1.476m wide 1.262m deep 0.5m high
Approximate Weight	860 kg	2800 kg	100 kg	670 kg
Maximum weight of contents				54 kg
Nominal weight of Package Design No 2773A including Maximum contents and pallet				4,500 kg

### Further Information

Contact: Croft Associates Ltd, B2 North Culham Estate, Abingdon, Oxon, OX14 3GY, UK  
 Tel: 44 (0) 1865 407740 Fax: 44 (0) 1865 407449 E-Mail: [sales@croftltd.com](mailto:sales@croftltd.com)  
 Web Site: [www.croftltd.com](http://www.croftltd.com)