



Type

Designed as a B(U) Package to the IAEA Regulations for the Safe Transport of Radioactive Materials 1996 Revised No TS-R-1 (ST1, Revised).

Certification

Currently Certified by the UK Competent Authority: Certificate N° GB/2767B/B(U)-96.

Description

The package consists of an Outer Container Drum Design N° 2767 which carries a resealable Inner Container Design N° 2775 within insulating and shock absorbing cork packing.

The Outer Container Drum Design N° 2767 has a pressed stainless steel body with a bayonet closing action stainless steel lid.

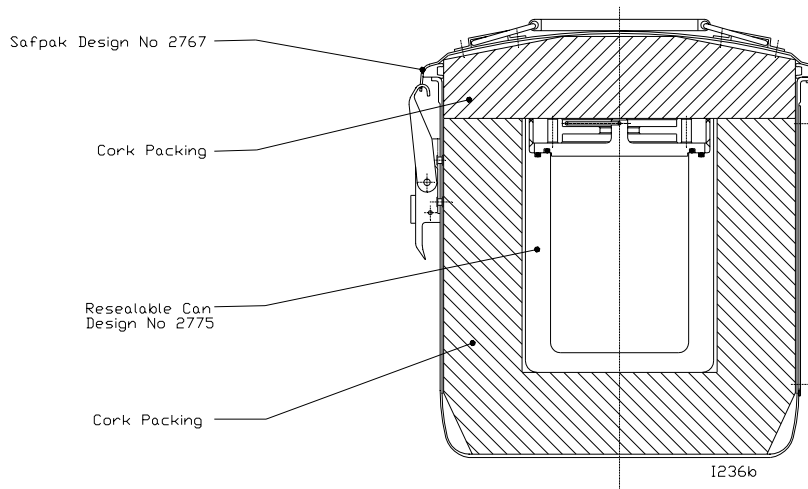
The Inner Container Design N° 2775 is a resealable stainless steel containment vessel.

Containment

The resealable Inner Container Design N° 2775 provides the containment system for the package. The lid of the container has a 'O' ring seal with an interspace between the 'O' ring seals; the interspace facilitates leak testing to ensure that the seals achieve the prescribed levels of leaktightness.

To reduce the possibility of contaminating the resealable Inner Container, primary containers such as screw top cans or capsules are normally used to carry the contents.

Section through Package Design N° 2767B



Approved Contents

Plutonium and Uranium Isotopes in solid or powder form.

Samples and or small quantities of radioactive material in solid form (generally elemental, oxide or carbide) consisting of separate nuclides or mixtures of the following radioactive materials:

- Fissile excepted quantities of plutonium and uranium,
- americium, curium, neptunium, thorium, compounds and/or mixtures,
- Pu/Be or Am/Be neutron sources.

Full up to date list available upon request.

Maximum heat emission of the contents not to exceed 5 watts.

Physical Data

	Outer Container 2767	Inner Container 2775
External Diameter	245 mm	112 mm
External Height	270 mm	155 mm
Internal Diameter	241 mm	84 mm
Internal Height	255 mm	121 mm
Weight	5.1 kg	6 kg
Maximum weight of Contents		3.5 kg
Maximum weight of Package Design N° 2767B including contents		14.6 kg

Further Information

Contact: Croft Associates Ltd, B2 North Culham Estate, Abingdon, Oxon, OX14 3GY, UK
 Tel: (01865) 407740 Fax: (01865) 407449 E-Mail:sales@croftltd.com
 Web Site: <http://www.croftltd.com>