

Package Design No 3975A

Package Name: Safdrum



Type

Designed as a reusable Type A package to the IAEA Regulations for the Safe Transport of Radioactive Material No. TS-R-1.

Certification

Licensed by Croft Associates Limited as a general purpose Type A package, which is generally used for the carriage of medical radionuclides and samples, in solid or liquid form.

Description

Package Design No 3975A is designed on traditional engineering principles and manufactured from stainless steel to give a long service life. The package consists of an outer container Drum Design No 3975, which carries a resealable inner Containment Can Design No 3976 within shock absorbing packing.

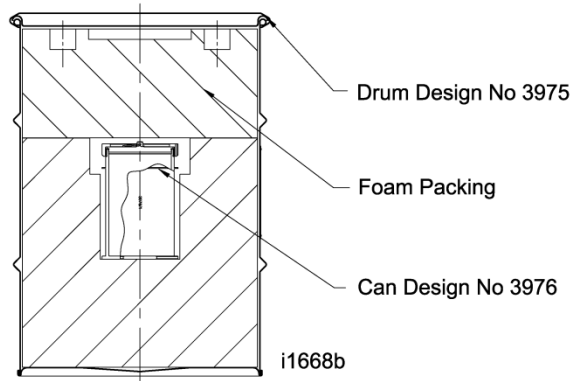
The outer container, Drum Design No 3975, has a fabricated stainless steel body and pressed steel lid with a painted steel closing band.

The Containment Can, Design No 3976, is a resealable stainless-steel containment can which carries the radioactive contents in suitable primary containers. When contents are liquids, (within syringes, etc,) absorbent material is to be provided which must be fitted inside the can. When the contents are bottles or vials, these may be packed in plastic bags/containers: or carried in lead pots when additional shielding is required.

Containment

The containment system consists of the containment can Design No. 3975. When liquids are carried they are immobilised within the containment system using absorber or primary containers. A wide range of primary packaging (including lead pots used with bottles or vials) can be used provided the packaging conforms to the specification referenced in the approval certificate.

Section through Package Design No 3975A



Approved Contents

Radioactive material in liquid or solid form. A variety of sealed primary containers can be used with liquid contents (eg vials). Absorbent material must be used with primary containers that are not sealed (eg syringes).

Liquid contents are limited to a maximum volume of 1000 cm³ (1 litre) when packed in suitable sealed primary containers and 160 cm³ when packed in non-sealed primary containers.

Maximum contents weight of Can Design No 3976 including additional shielding is 17.5 kg.

The contents are also limited to A₁ for material in special form and A₂ for other material, with the additional requirement that the external radiation levels of the package, as loaded and presented for transport, are within regulatory limits.

Modes of Transport

Road, rail, sea, air and inland waterway.

Physical Data

Package 3975A	Outer Container 3975	Packing	Inner Container 3976
External Diameter	520 mm		133 mm
External Height	711 mm		224 mm
Internal Diameter	455mm		120 mm
Internal Height	651mm		200mm
Tare Weight	15.40 kg	6.4 kg	6.6 kg
Maximum weight of Package Design No 3975A – 28.4 + 17.5 kg contents = 45.9kg			

Further Information

Contact: Croft Associates Limited, F4 Culham Science Centre, Abingdon, Oxfordshire, OX14 3DB, UK.
 Tel: 44(0)1865 407740 Fax: 44(0)1865 407449
 E-mail: info@croftltd.com Web site: www.croftltd.com