

**Package Design No 2904A**  
**Package Name: SAFDRUM**



## **Type**

Designed as a Type A Package to the IAEA Regulations for the Safe Transport of Radioactive Material, No TS-R-1.

## **Certification**

Designed, tested and certified as a Type A package by.  
Croft holds a full safety report documenting compliance with the requirements of the IAEA regulations.

## **Description**

The package consists of an outer container Drum Design No 2904, expanded polystyrene packing, and any of several tested resealable, leak-tight inner containment cans within which shippers' own product containers are carried.

The outer container Drum Design No 2904 is manufactured from steel and has a standard single bolt type closure band. The drum lid is fitted with a lifting handle.

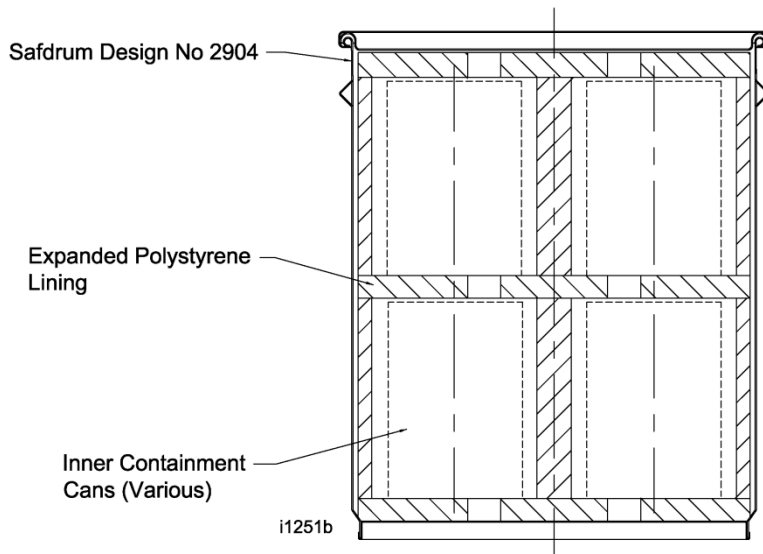
The expanded polystyrene packing fitted within the drum has cavities for six inner containment cans.

Product containers of the shippers' own choice may be carried within the inner containment can using any compatible packing.

## **Containment**

Containment is provided by the inner containment cans and product containers. The inner containment cans have been tested and demonstrated to show that they provide containment at the required stages. The product containers (such as vials or polythene bottles) of the shippers' choice are required to provide nominal containment (not leak if inverted or shaken) for the radioactive contents. The product containers may be carried in small shielding pots if required.

## Section through Package Design No 2904A



### Approved Contents

Solids and including powders (loose or compressed).

Maximum weight of contents per inner containment can (product containers, radioactive material and packing) is 1.2 kg.

### Modes of Transport

Road, rail, sea, air and inland waterway.

### Physical Data

	Outer Container Drum Design No 2904	Inner Containment Can (6 may be carried)
Maximum External Diameter	330 mm	112 mm typical
Maximum External Height	381 mm	147 mm typical
Internal Diameter	305 mm	100 mm typical
Internal Height	352 mm	120 mm typical
Weight	2.2 kg	0.2 kg each (excluding contents)
Maximum weight of 6 inner containment cans including product containers, radioactive contents and packing		8.4 kg
Weight of expanded polystyrene packing fitted within the drum (Max)		0.6 kg
Maximum weight of Package Design No 2904A including contents		11.2 kg

### Further Information

Contact: Croft Associates Ltd, F4 Culham Science Centre, Abingdon, Oxon, OX14 3DB, UK  
 Tel: (01865) 407740 Fax: (01865) 407449 E-mail: [info@croftltd.com](mailto:info@croftltd.com)  
 Web site: [www.croftltd.com](http://www.croftltd.com)