

Package Design No 2887A MK II
Package Name: SAFDRUM



Type

Designed as a disposable/single use Type A Package to the IAEA Regulations for the Safe Transport of Radioactive Material, No TS-R-1.

Certification

Licensed and certified by Croft as a Type A package.

Description

The package consists of an Outer Container Drum, Design No 2887, which carries a resealable leak-tight Inner Container Design No 2887 within an expanded polystyrene lining.

The Outer Container, Drum Design No 2887, is manufactured from steel and has a standard latch type closure band.

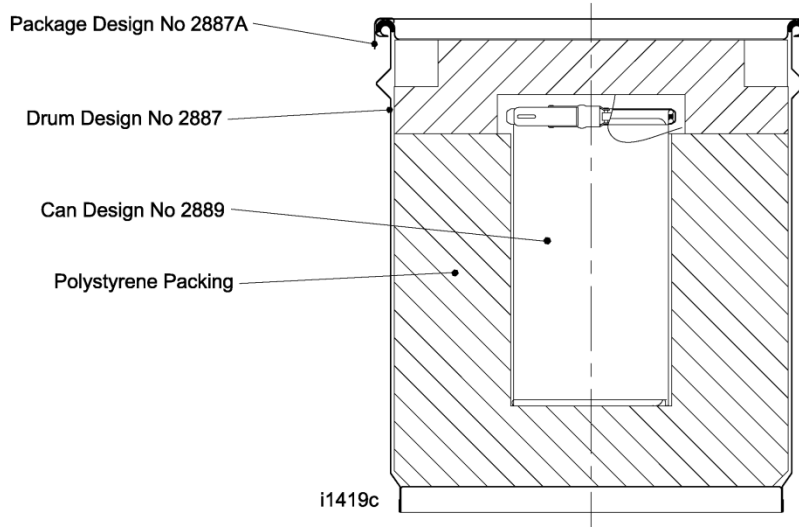
The Inner Container, Design No 2889, can be fitted with absorbers and additional polystyrene packing.

Containment

The radioactive material may be packed in up to four primary containers, such as vials or polythene bottles, which may be carried in small shielding pots if required. The primary containers are housed within polystyrene packing in the resealable leak-tight inner Container, Design No 2889.

The containment system is provided by the resealable, leak-tight Inner Container, Design No 2889.

Section through Package Design No 2887A



Approved Contents

Solids and Powders (loose or compressed) up to A₂ quantities.

Liquids up to a maximum volume of 80 cm³.

Maximum weight of contents (including primary containers) for liquids 0.8 kg.

Maximum weight of contents (including primary containers) for solids 2.3 kg.

Modes of Transport

Road, rail, sea, air and inland waterway.

Physical Data

	Outer Container 2887	Inner Container 2889	
External Diameter	276 mm	110 mm	
External Height	330 mm	180 mm	
Internal Diameter	252 mm	99 mm	
Internal Height	307 mm	165 mm	
Weight	2.2 kg	0.2 kg	
Maximum weight of Package Design No 2887A is: 4.7 kg for solids or 3.2 kg for liquids.			

Further Information

Contact: Croft Associates Ltd, F4 Culham Science Centre, Oxon, OX14 3DB, UK
 Tel: +44 (0)1865 407740 Fax: +44 (0)1865 407449 E-mail: info@croftltd.com
 Web site: www.croftltd.com