

Type

Designed as a B(U) Package to the IAEA Regulations for the Safe Transport of Radioactive Material, No TS-R-1.

Certification

Certified by the UK Competent Authority under IAEA TS-R-1 regulations.

Description

The Outer Container is a Drum Casket Design No 2842. It is a double-shell welded cylindrical casket manufactured in low carbon steel with a circular bolted closure at the base. The space between the shells is filled with phenolic resin foam.

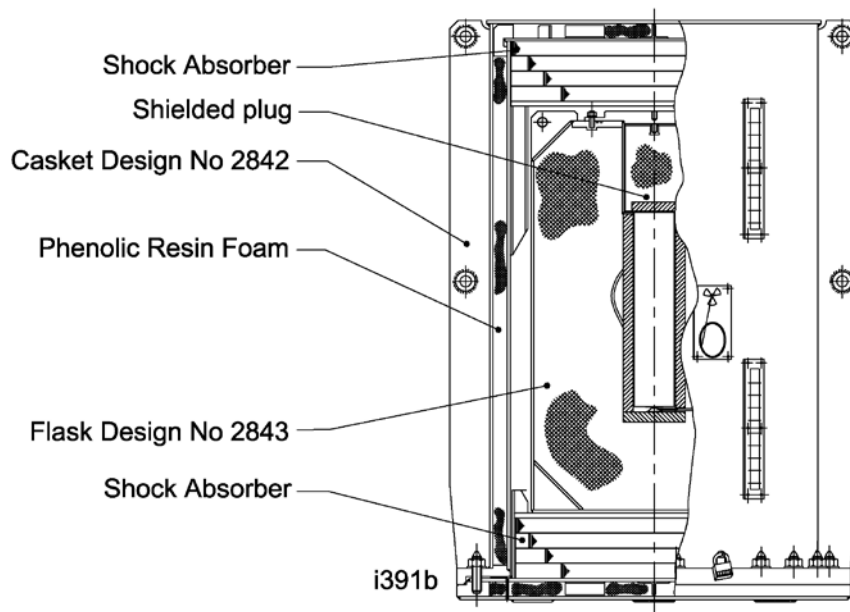
The Inner Container Design No 2843 is a robust and compact shielded flask. The flask is of a welded stainless steel construction incorporating lead and depleted uranium shielding. Access to the cavity is gained by the removal of a shielding plug, the base of which contains a depleted uranium disc.

Containment

The bolted flange of the Inner Container Design No 2843 is in the form of a separate flange with double 'O' ring seals. The interspace between the 'O' ring seals facilitates leak testing to ensure that the seals achieve the prescribed levels of leak tightness. As the flange is separate from the shielded plug the final closure and subsequent leak testing can be carried out in a low radiation exposure area.

The Outer Container Casket Design No 2842 contains and prevents damage to the Inner Flask Design No 2843.

Section through Package Design No 2842A



Approved Contents

Maximum activity of Co-60: 5500 TBq (150 kCi).

The Cobalt-60 must be contained within sealed capsules which must comply with the requirements of the IAEA Regulations for Special Form Material.

Maximum heat emission is not to exceed 2340 watts.

Modes of Transport

Road, rail, sea, and inland waterway.

Physical Data

	Drum Casket	Flask	Shielded Plug
External Diameter	1036 mm	625 mm	163 mm
External Height	1043 mm	1025 mm	247 mm
Internal Diameter	625 mm	100 mm	-
Internal Height	1025 mm	480 mm	-
Weight (mass)	950 kg	3000 kg	-
Maximum weight of contents			30 kg
Maximum weight of Package Design N° 2835A including contents			4040 kg

Further Information

Contact: Croft Associates Ltd, F4 Culham Science Centre, Abingdon, Oxon, OX14 3DB, UK
 Tel: (01865) 407740 Fax: (01865) 407449 E-mail: info@croftltd.com
 Web site: www.croftltd.com