

Package Design N° 2835C
Package Name: SAFKEG



Type

Designed as a B(U) Package to the IAEA Regulations for the Safe Transport of Radioactive Material , No TS-R-1.

Certification

Certified by the UK Competent Authority: Certificate N° GB/2835C/B(U) (Pending).

Description

The package consists of an outer keg Design N° 2835 which carries a resealable shielding pot Design N° 2782 within cork packing.

The outer keg Design N° 2835 has a fabricated stainless steel body with a large stainless steel lined cavity and a bolted stainless steel lid. The space provided between the fabricated body and the lined cavity is filled with phenolic foam insulation.

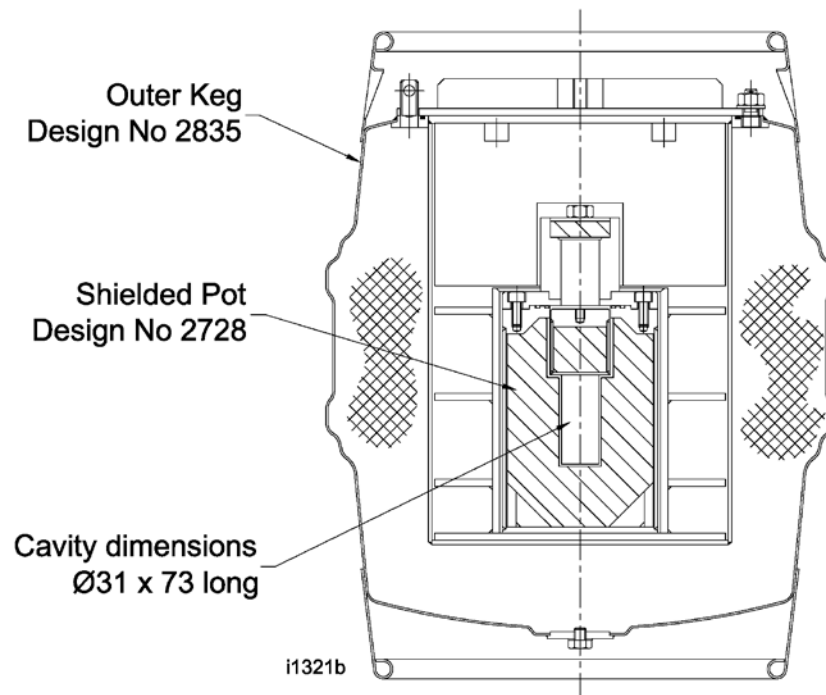
The shielding pot, Design N° 2782, has a resealable stainless steel containment vessel and depleted uranium shielding encased in stainless steel.

Containment

The resealable shielding pot Design N° 2782 provides the containment system for the package. The lid of the pot has double O-ring seals having an interspace to facilitate leakage testing to prove that the containment system has the prescribed levels of leak tightness. The shielding pot can has an extended lid which when provided with suitable internal plugs can accommodate source tails.

Product containers such as screw top cans or sealed capsules are normally used to carry the contents and provide contamination control.

Section through Package Design N° 2835C



Approved Contents

37 TBq (1,000 Ci) Iridium-192 in the form of solid metal pellets. Other contents could be approved.

Maximum heat emission of contents 57 watts.

Modes of Transport

Road, rail, sea and inland waterway.

Physical Data

	Outer keg 2835	Shielding pot 2782
External Diameter	425 mm	132 mm
External Height	540 mm	273 mm
Internal Diameter	247 mm	31 mm
Internal Height	355 mm	73 or 187 mm
Shielding		45 mm DU
Weight	47.5 kg (inc packing)	41.2 kg
Maximum weight of contents		0.3 kg
Maximum weight of Package Design N° 2835C including contents		89 kg

Further Information

Contact: Croft Associates Ltd, F4 Culham Science Centre, Abingdon, Oxon, OX14 3DB, UK
 Tel: (01865) 407740 Fax: (01865) 407449 E-mail: info@croftltd.com
 Web site: www.croftltd.com