

**Package Design N° 2831C**  
**Package Name: SAFDRUM**



## **Type**

Designed as a Type A Package to the IAEA Regulations for the Safe Transport of Radioactive Material, No TS-R-1.

## **Certification**

Licensed and certified as a Type A package by Croft.

## **Description**

The package consists of an Outer Container, Drum Design N° 2831, which carries a non-resealable leak-tight Inner Container, Design N° 3934, within an expanded polystyrene lining.

The Outer Container, Drum Design N° 2831, is manufactured from steel and has a standard latch type closure band.

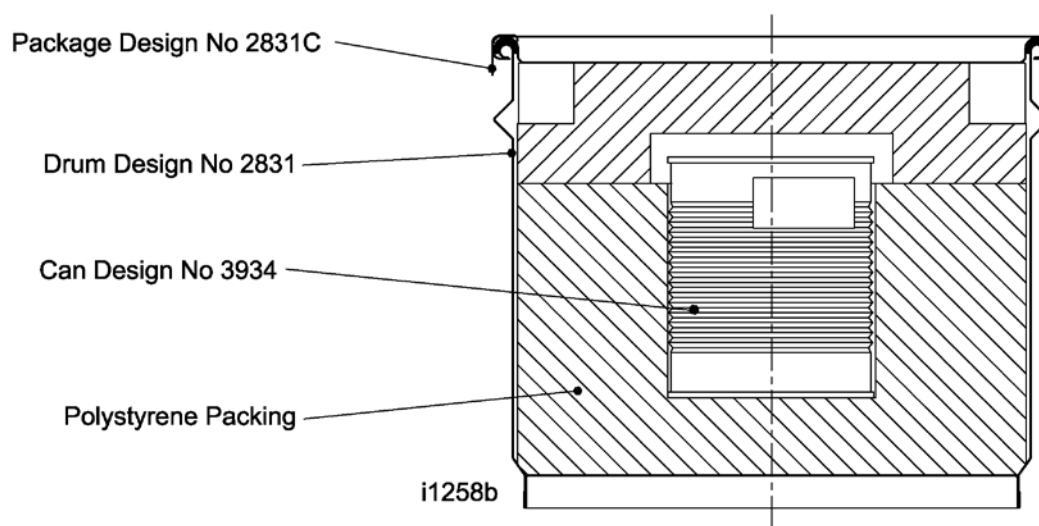
The Inner Container Design No 3934 can be fitted with absorbers and additional polystyrene packing.

## **Containment**

The radioactive material may be packed in suitable primary containers, such as vials or polythene bottles, which may be carried in small shielding pots if required. The primary containers are housed within polystyrene packing in the non-reusable leak-tight inner Container Design No 3934.

The containment system is provided by the non-reusable leak-tight Inner Container Design No 3934.

## Section through Package Design N° 2831C



### Approved Contents

Solids and Powders (loose or compressed) up to A<sub>2</sub> quantities.

Liquids up to a maximum volume of 40 cm<sup>3</sup>.

Maximum weight of contents (including primary containers) 1.3 kg.

### Modes of Transport

Road, rail, sea, air and inland waterway.

### Physical Data

	Outer Container 2831	Inner Container 3934	Maximum Contents
External Diameter	276 mm	110 mm	
External Height	235 mm	125 mm	
Internal Diameter	252 mm	99 mm	
Internal Height	210 mm	110 mm	
Weight with packing	1.7 kg	0.1 kg	1.2 kg
Maximum weight of Package Design No 2831C including contents			3 kg

### Further Information

Contact: Croft Associates Ltd, F4 Culham Science Centre, Oxon, OX14 3DB, UK  
Tel: +44 (0)1865 407740 Fax: +44 (0)1865 407449 E-mail: [info@croftltd.com](mailto:info@croftltd.com)  
Web site: [www.croftltd.com](http://www.croftltd.com)