



Type

Designed as a Type A Package to the IAEA Regulations for the Safe Transport of Radioactive Material, No TS-R-1.

Certification

Licensed by Croft Associates Limited as a Type A Package for the carriage of medical radionuclides in solid or liquid form. Approved for solid material and liquids in vials or syringes. Shielding can be in any form subject to a mass limit (2.5 kg maximum for contents and shielding).

Other forms of radioactive material and/or primary packaging can be carried subject to a satisfactory safety review.

Description

Package Design No 2767W is designed as a reusable package and consists of an outer Container Drum Design No 2767 which carries a resealable inner Containment Can Design No 2833 within shock absorbing plastic foam packing.

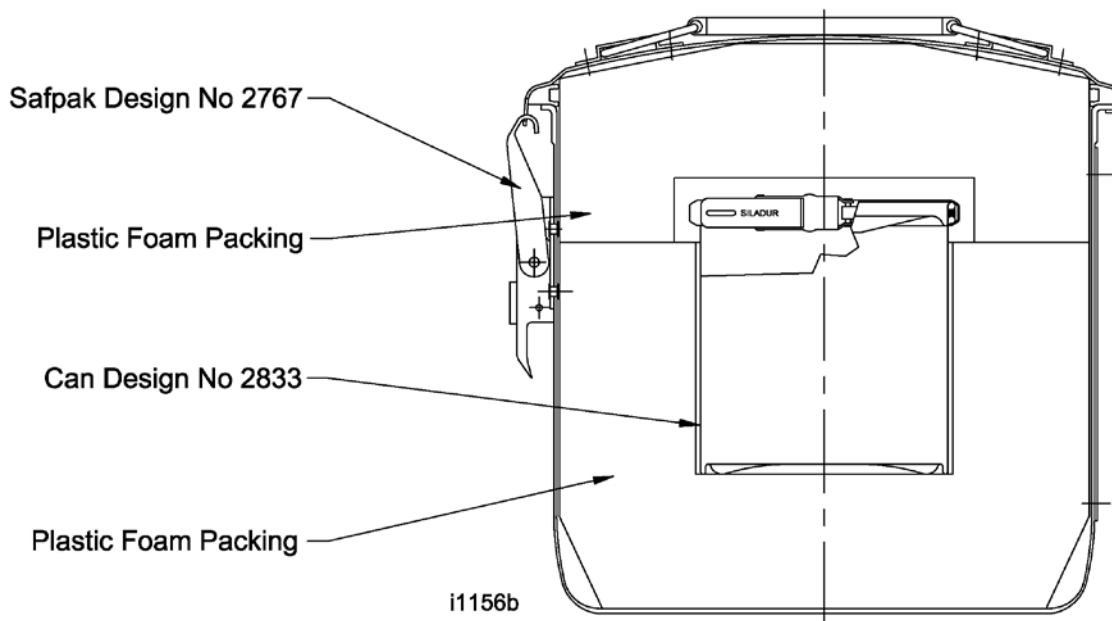
The Container Drum Design No 2767 has a pressed steel body and lid with a bayonet action closure.

The Containment Can Design No 2833 is a resealable steel containment can which carries the radioactive contents in vials/syringes for liquid material and in suitable primary packaging for solid material. Absorbent material is fitted for liquid contents.

Containment

Containment is provided primarily by the Containment Can Design No 2833 with secondary containment (for liquid contents) being provided by the absorber. A wide range of primary packaging and shielding can be used provided this packaging conforms to the specification referenced in the approval certificate.

Section through Package Design No 2767W



Approved Contents

Radionuclides in solid or liquid form. Any number of vials, syringes, or other suitable containers can be carried subject to the liquid volume and weight limits stated below.

Liquid contents are limited to a maximum volume of 160 cm³.

Maximum contents weight of 2833 can is 2.5 kg.

The contents are also limited to A₁ for material in special form and A₂ for other material with the additional requirement that the contents are limited to ensure that the external radiation levels of the package, as loaded and presented for transport, are within regulatory limits.

Modes of Transport

Road, rail, sea, air and inland waterway.

Physical Data

	Outer Container Drum 2767	Foam Packing	Inner Containment Can 2833	Contents of 2833
External Diameter	245 mm 270 mm		112 mm 125 mm	
External Height				
Internal Diameter	218 mm		99 mm	
Internal Height	255 mm		110 mm	
Weight	2.9 kg	0.4 kg	0.2 kg	2.5 kg max
Maximum weight of Package Design No 2767W 6.0 kg.				

Further Information

Contact: Croft Associates Ltd, F4 Culham Science Centre, Abingdon, Oxon, OX14 3DB, UK
 Tel: (01865) 407740 Fax: (01865) 407449 E-mail: info@croftltd.com
 Web site: www.croftltd.com