

Package Design N° 2767S
Package Name: SAFPAK



Type

Designed as a Type A Package to the IAEA Regulations for the Safe Transport of Radioactive Material TS-R-1.

Certification

Licensed by Croft Associates Ltd as a Type A Package for the carriage of a variety of radioactive contents, for example, medical radionuclides in syringes with absorber, or sealed vials/sources in lead shielded pots where required.

Other forms of radioactive material and/or primary packaging can be carried subject to a satisfactory safety review.

Description

Package Design N° 2767S is designed as a reusable package and consists of an outer Container Drum Design N° 2767 which carries a resealable inner Container Can Design N° 2945, which is located within shock absorbing packing.

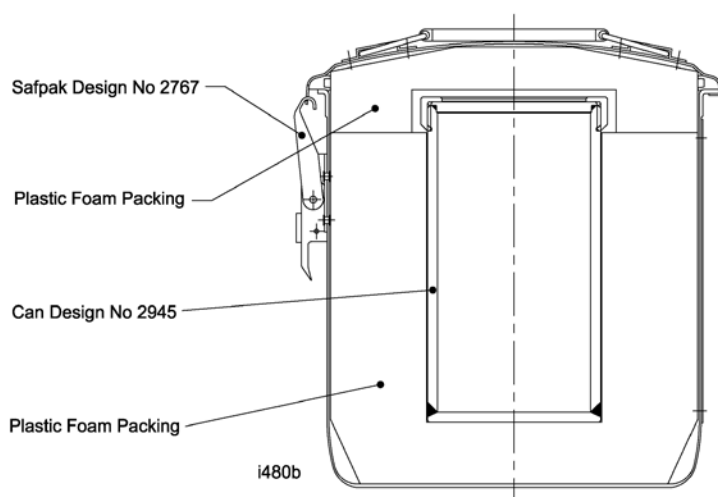
The Container Drum Design N° 2767 has a pressed stainless steel body and lid with a bayonet action closure.

The Containment Can Design N° 2945 is a resealable stainless steel containment can which carries the radioactive contents in primary containers such as syringes or vials. When the primary containers are syringes, the absorbent material provided must be fitted inside the can. When the contents are vials these may be packed in plastic bags/containers, or carried in lead pots when additional shielding is required. The Containment Can Design N° 2945 provides shielding equivalent to 4 mm of lead.

Containment

The primary containment is provided by the Containment Can Design N° 2945. Secondary containment is provided by the absorber when syringes are carried, and by the vial when vials are carried. A wide range of primary packaging (including lead pots used with vials) can be used provided this packaging conforms to the specification referenced in the approval certificate.

Section through Package Design N° 2767S



Approved Contents

Medical radionuclides in liquid form packed in syringes with absorber lining fitted to the Containment can Design N° 2945. Alternatively, vials or sealed sources may be carried within lead pots where shielding is required. Any number of syringes/vials and lead pots may be carried subject to the liquid volume and weight limits stated below:

Liquid contents are limited to a maximum volume of 140 cm³.

Maximum contents weight of 2945 can is 5.0 kg.

The contents are also limited to A₂ quantities with the additional requirement that the contents are limited to ensure that the external radiation levels of the package, as loaded and presented for transport, are within regulatory limits.

Modes of Transport

Road, rail, sea, air and inland waterway.

Physical Data

	Outer Container 2767	Packing	Inner Container 2945	Maximum Contents of 2945
External Diameter	245 mm		110 mm	
External Height	270 mm		190 mm	
Internal Diameter	218 mm		90 mm	
Internal Height	255 mm		175 mm	
Weight	2.9 kg	0.4 kg	3.3 kg	5.0 kg max
Maximum weight of Package Design N° 2767S 11.6 kg				

Further Information

Contact: Croft Associates Ltd, F4 Culham Science Centre, Abingdon, Oxon, OX14 3DB,
UK

Tel: (01865) 407740 Fax: (01865) 407449 E-mail: info@croftltd.com

Web site: <http://www.croftltd.com>