

**Package Design N° 2767R**  
**Package Name: SAFPAK**



## **Type**

Designed as a Type A Package to the IAEA Regulations for the Safe Transport of Radioactive Material, No TS-R-1.

## **Certification**

Licensed by Croft Associates Ltd as a general purpose Type A Package and in particular for the carriage of medical radionuclides in a solids or liquid form.

## **Description**

This package is designed as a reusable package and consists of an outer Container Drum Design N° 2767 which carries a Shielding Pot Design N° 2944 within shock absorbing plastic foam packing.

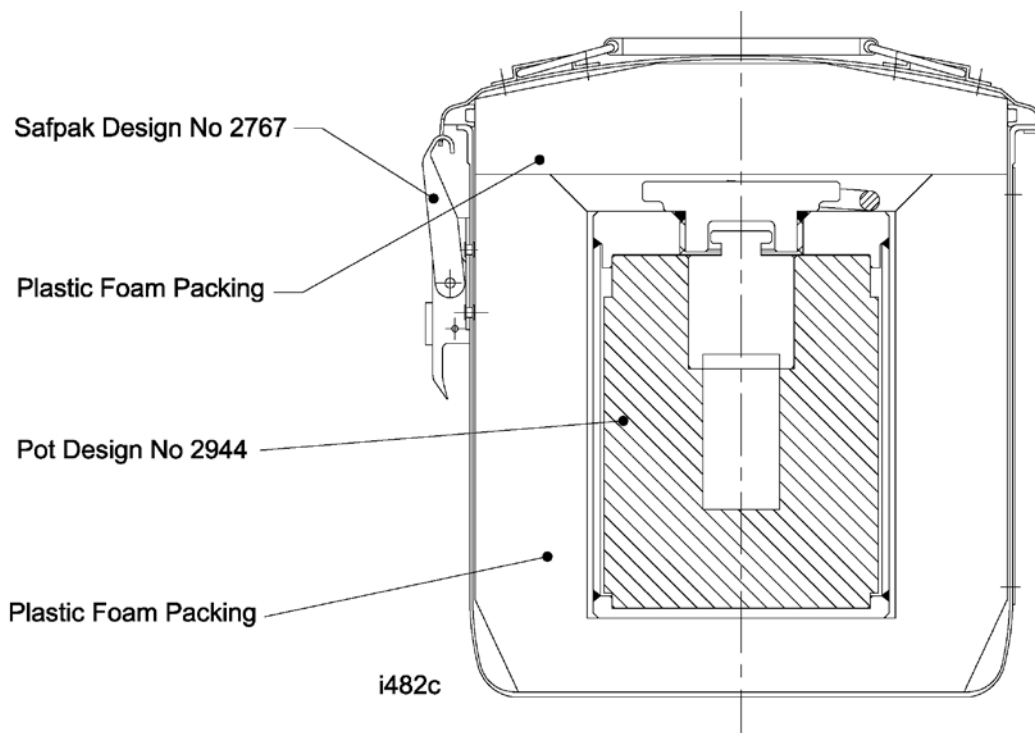
The Container Drum Design N° 2767 has a pressed stainless steel body and lid with a bayonet action closure.

The Shielding Pot Design N° 2944 is a stainless steel lead shielded pot fitted with a shielding plug and sealing closure. Liquid contents in a vial or solid material in suitable primary containers may be carried within the cavity of the shielding pot. The Shielded Pot Design N° 2944 provides shielding equivalent to 44 mm of lead.

## **Containment**

The containment is provided by the Shielding Pot Design N° 2944 and when contents are liquid, the sealed glass or plastic vial.

## Section through Package Design N° 2767R



### Approved Contents

Medical radionuclides in liquid form in a vial. Solids within suitable primary containers or capsules may be carried.

Liquid contents are limited to a maximum volume of 20 cm<sup>3</sup>.

The contents are also limited to A<sub>1</sub> for material in special form and A<sub>2</sub> for other material with the additional requirement that the contents are limited to ensure that the external dose levels of the package, as loaded and presented for transport, are within regulatory limits.

### Modes of Transport

Road, rail, sea, air and inland waterway.

### Physical Data

	Outer Container 2767	Foam Packing	Inner Container 2944
External Diameter	245 mm		120 mm
External Height	270 mm		177 mm
Internal Diameter	218 mm		31 mm
Internal Height	255 mm		63 mm
Weight	2.9 kg	0.5 kg	18.5 kg
Maximum weight of Package Design N° GB 2767R 22 kg			

### Further Information

Contact: Croft Associates Ltd, F4 Culham Science Centre, Abingdon, Oxon, OX14 3DB, UK  
 Tel: (01865) 407740 Fax: (01865) 407449 E-mail: [info@croftltd.com](mailto:info@croftltd.com)  
 Web site: [www.croftltd.com](http://www.croftltd.com)