

Package Design N° 2767B
Package Name: SAFPAK



Type

Designed as a B(U) and B(U)F Package to the IAEA Regulations for the Safe Transport of Radioactive Materials 1996 and 2005 Editions.

Certification

Currently Certified by the UK Competent Authority: Certificate N° GB/2767B/B(U)-96.

Validations available for other countries.

Description

The package consists of an Outer Container Drum Design N° 2767 which carries a resealable Inner Container Design N° 2775 within insulating and shock absorbing cork packing.

The Outer Container Drum Design N° 2767 has a pressed stainless steel body with a bayonet closing action stainless steel lid.

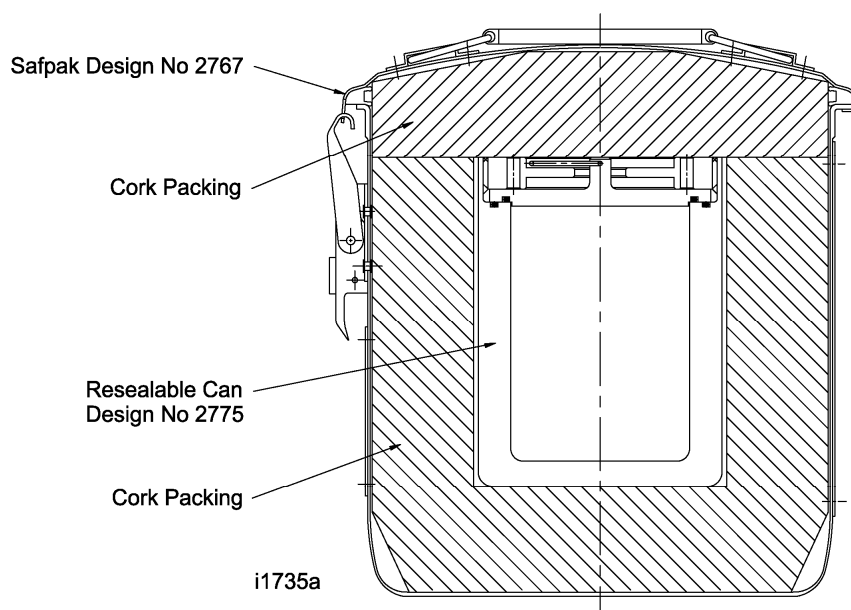
The Inner Container Design N° 2775 is a resealable stainless steel containment vessel.

Containment

The resealable Inner Container Design N° 2775 provides the containment system for the package. The lid of the container has a 'O' ring seal with an interspace between the 'O' ring seals; the interspace facilities leak testing to ensure that the seals achieve the prescribed levels of leak tightness.

To reduce the possibility of contaminating the resealable Inner Container, primary containers such as screw top cans or capsules are normally used to carry the contents.

Section through Package Design N° 2767B



Approved Contents

Plutonium and Uranium Isotopes in solid or powder form up to 160 g U-235 equivalent. Transuranic nuclides in solid or powder form in gram quantities.

Radionuclides up to A₂ quantities in solid, liquid or gaseous form with the additional requirement that the contents is limited to ensure that the external dose levels are within regulatory limits.

Maximum heat emission of the contents not to exceed 10 watts.

Modes of Transport

Road, rail, sea, air and inland waterway.

Physical Data

	Outer Container 2767	Inner Container 2775
External Diameter	245 mm	112 mm
External Height	270 mm	155 mm
Internal Diameter	241 mm	84 mm
Internal Height	255 mm	121 mm
Weight	5.1 kg	6.2 kg
Maximum weight of Contents		4.5 kg
Maximum weight of Package Design N° 2767B including contents		15.8 kg

Further Information

Contact: Croft Associates Ltd, F4 Culham Science Centre, Abingdon, Oxon, OX14 3DB, UK
Tel: (01865) 407740 Fax: (01865) 407449 E-Mail: info@croftltd.com
Web Site: www.croftltd.com